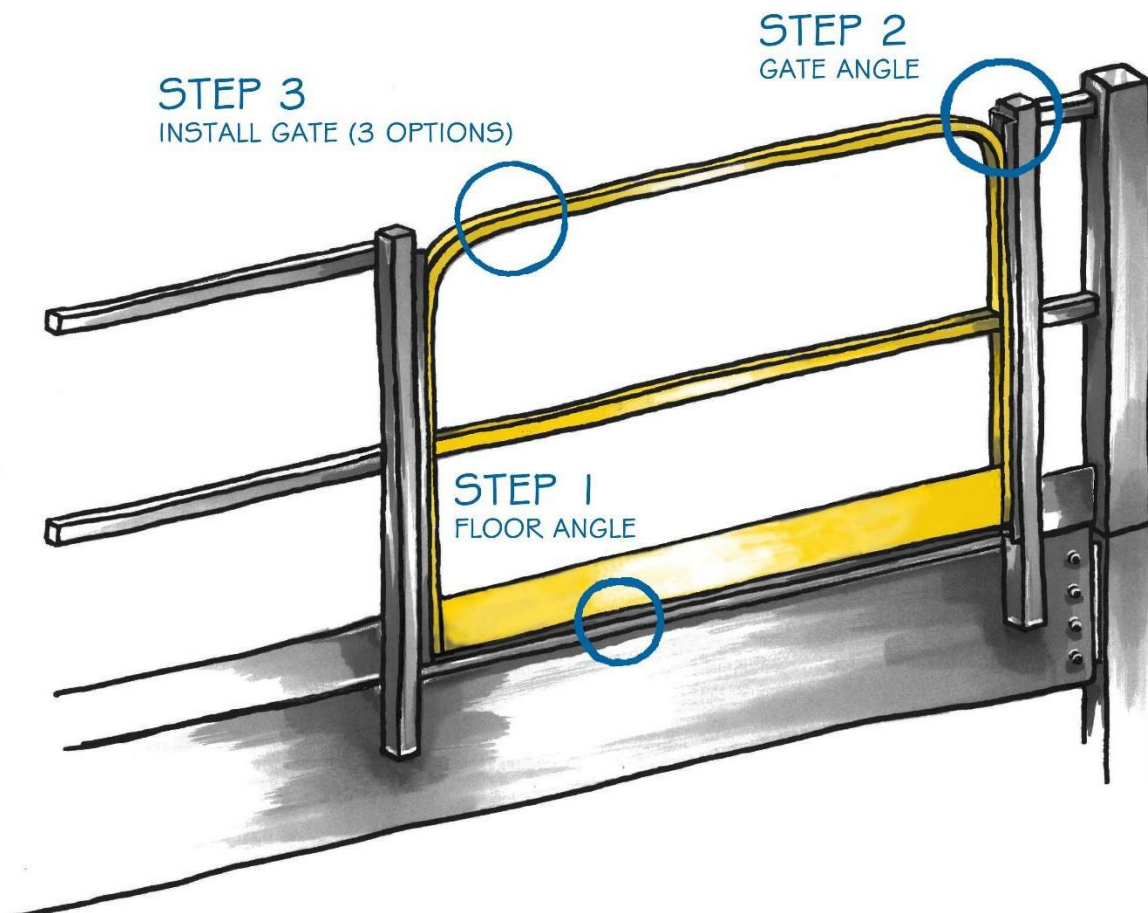


INSTALLATION MANUAL

Patent Pending

For the most current release of this manual,
please visit our website at cogan.com

V.2015.1



Product	Pre-Engineered Floor Decking System
Sub-product	Gates

- Easy installation for all 4 types of gates.
- For security purpose, all gates are only available in security yellow.
- Cogan single swing, double swing and sliding gates feature a locking device/mechanism that prevents the gate from opening when not in use.



Cogan[®]
A Tradition of Quality Since 1901

cogan.com

HARDWARE



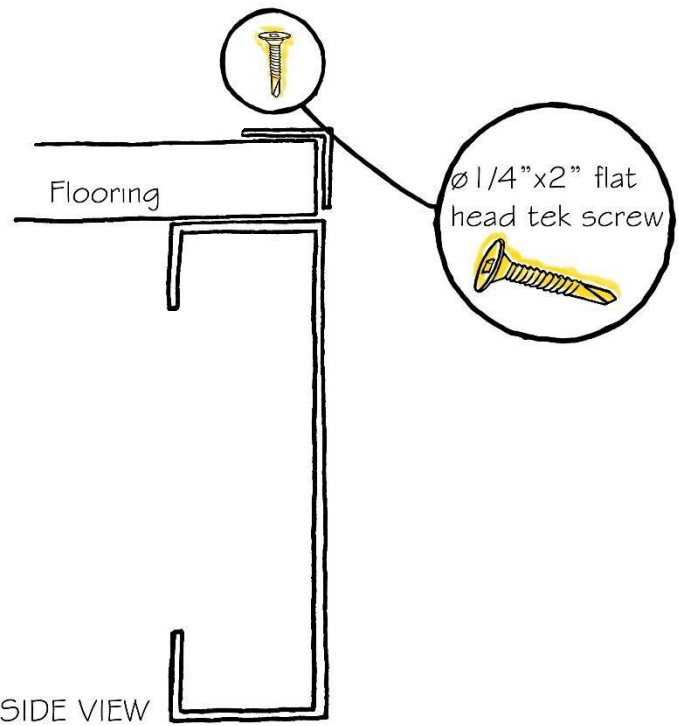
ø1/4"x1" FLAT HEAD TEK SCREW



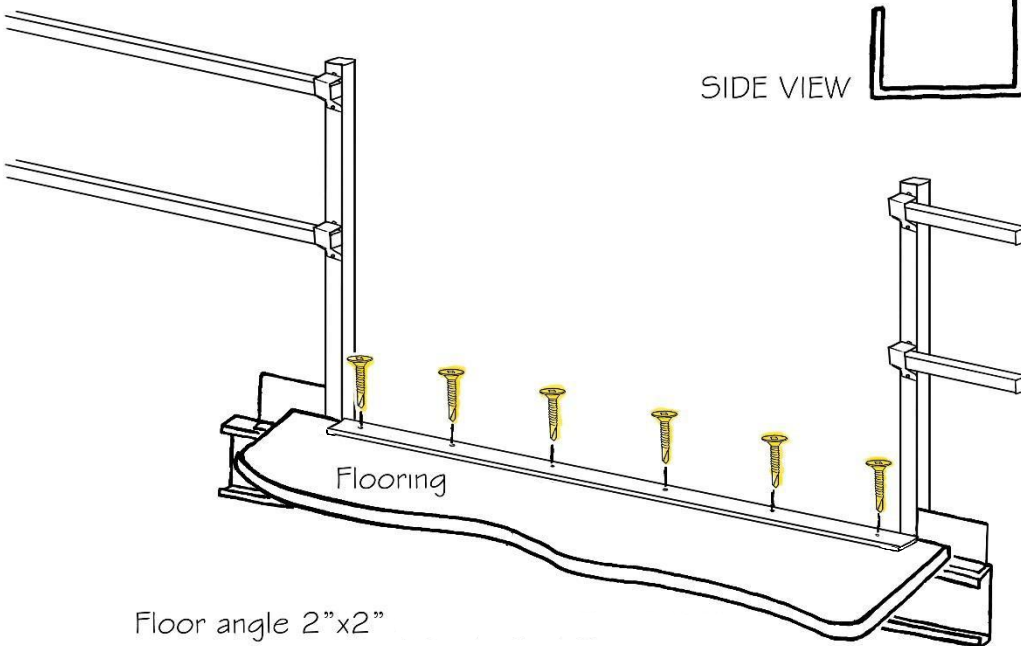
ø1/4"x2" FLAT HEAD TEK SCREW

STEP 1

FLOOR ANGLE (NOSING)



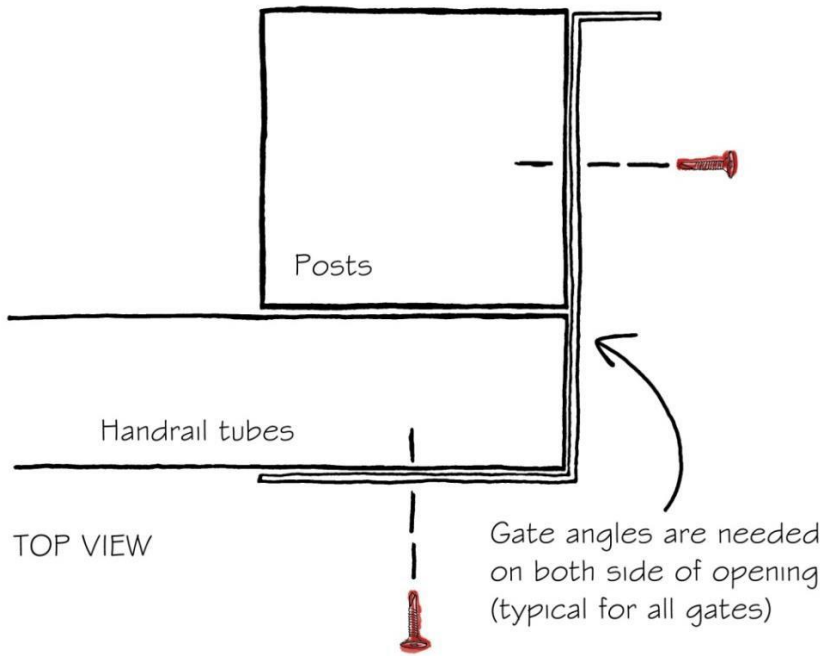
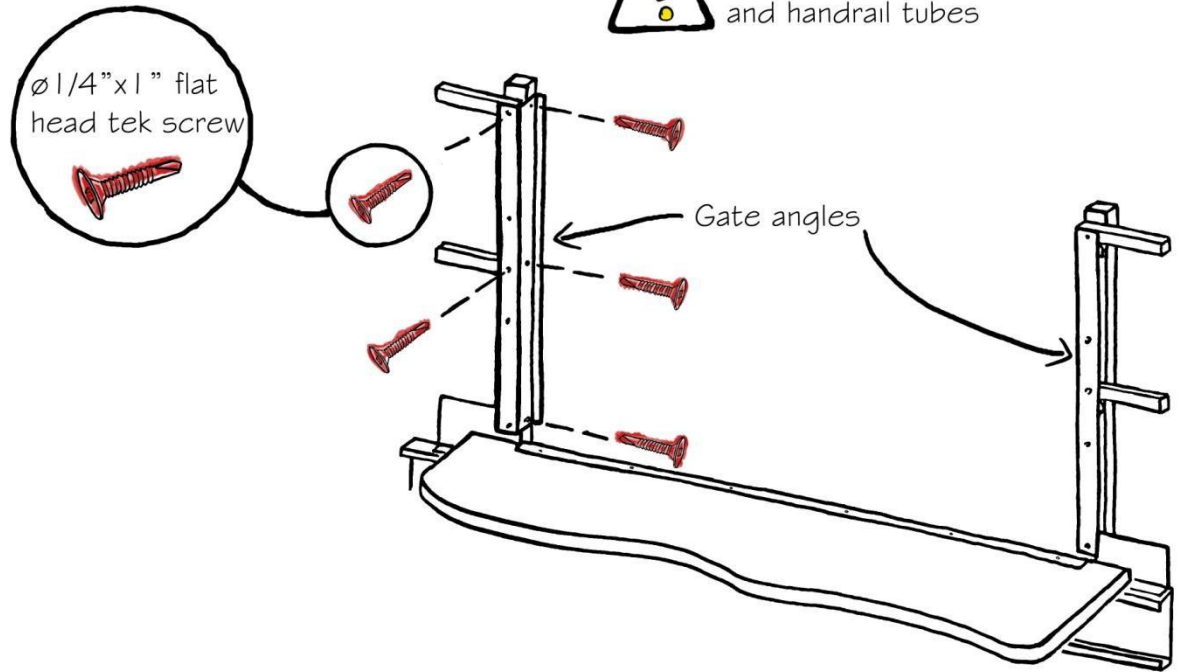
SIDE VIEW



Floor angle 2"x2"
(typical for all gates)

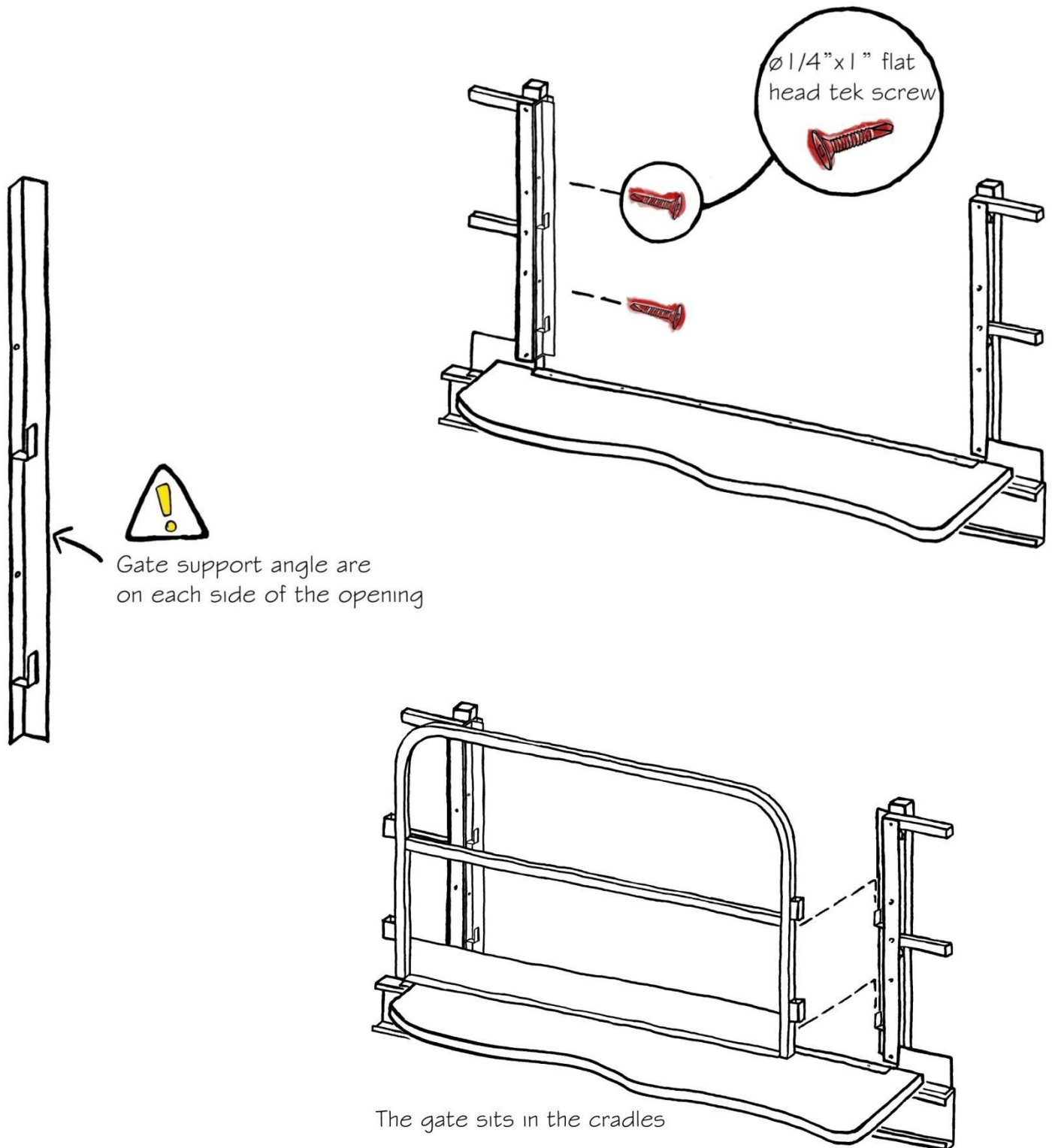
STEP 2

GATE ANGLE

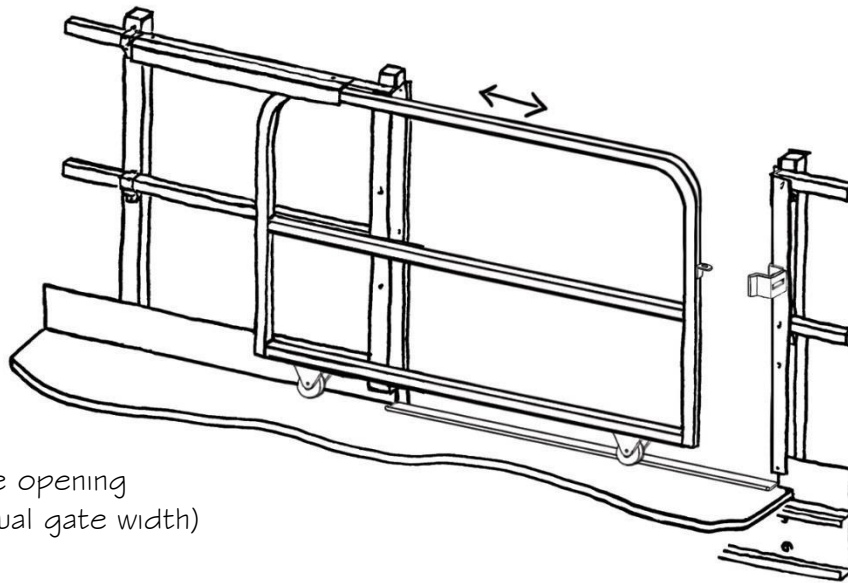


STEP 3

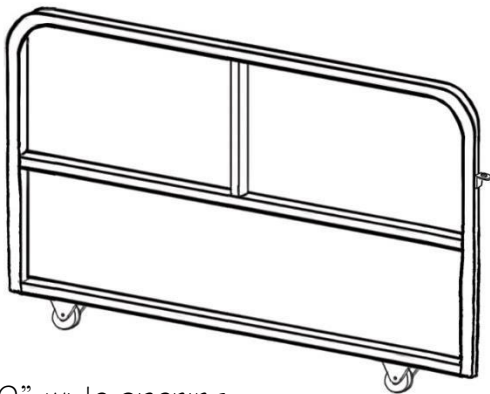
INSTALL GATE LIFT-OUT



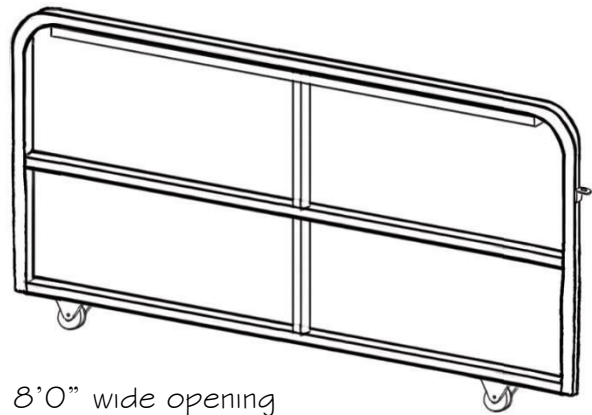
SLIDING GATE DIMENSIONS AVAILABLE (refer to your installation drawings to know which model is included)



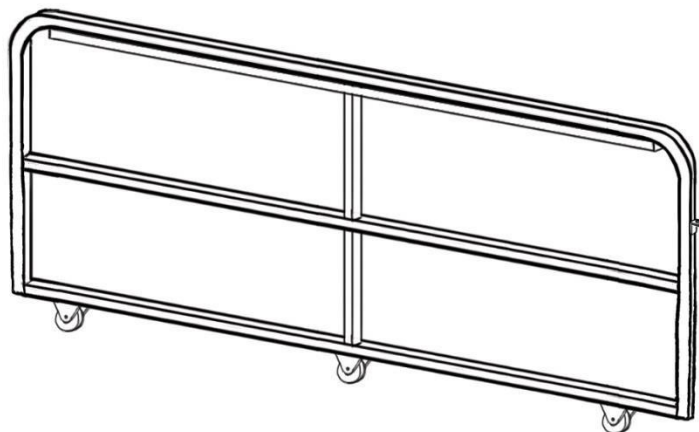
5'0" wide opening
(7'0" actual gate width)



6'0" - 7'0" wide opening
(8'0" - 10'0" actual gate width)



8'0" wide opening
(10'0" actual gate width)



10'0" wide opening
(13'0" actual gate width)
OR
12'0" wide opening
(16'0" actual gate width)

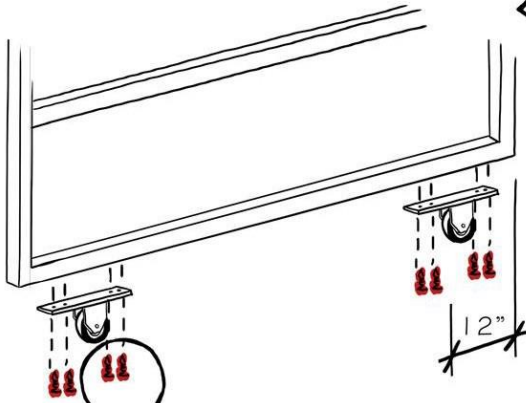
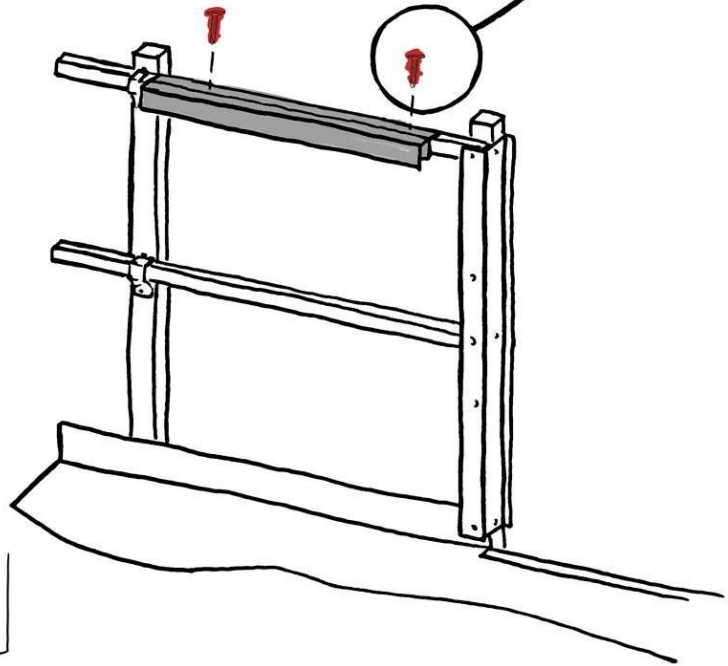
STEP 3

INSTALL GATE SLIDING



The gate track is positioned on the opening side of the gate

Ø1/4"x1" flat head tek screw

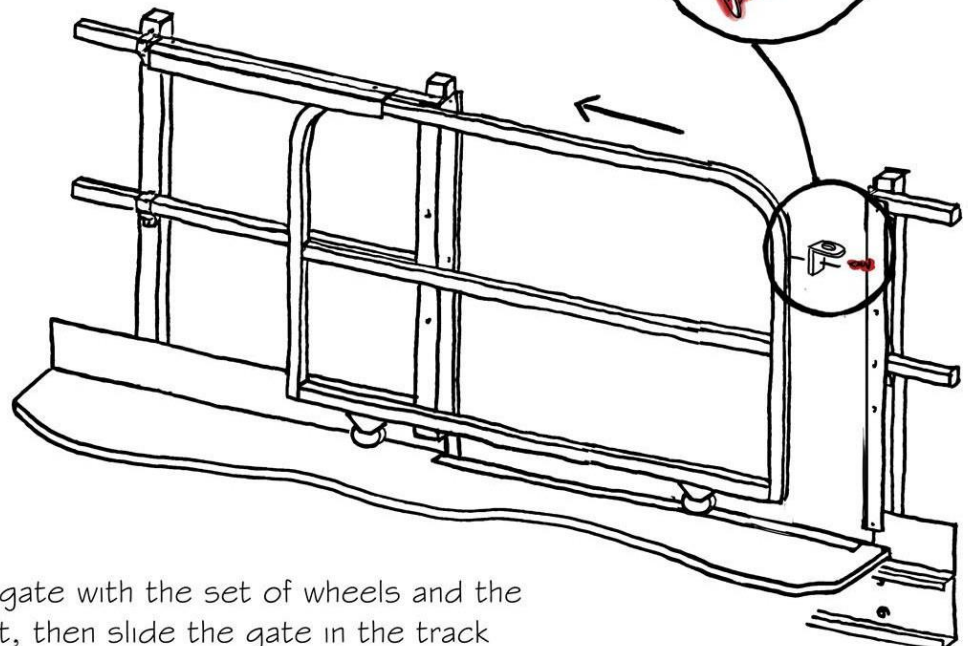


12"

Ø1/4"x1" flat head tek screw

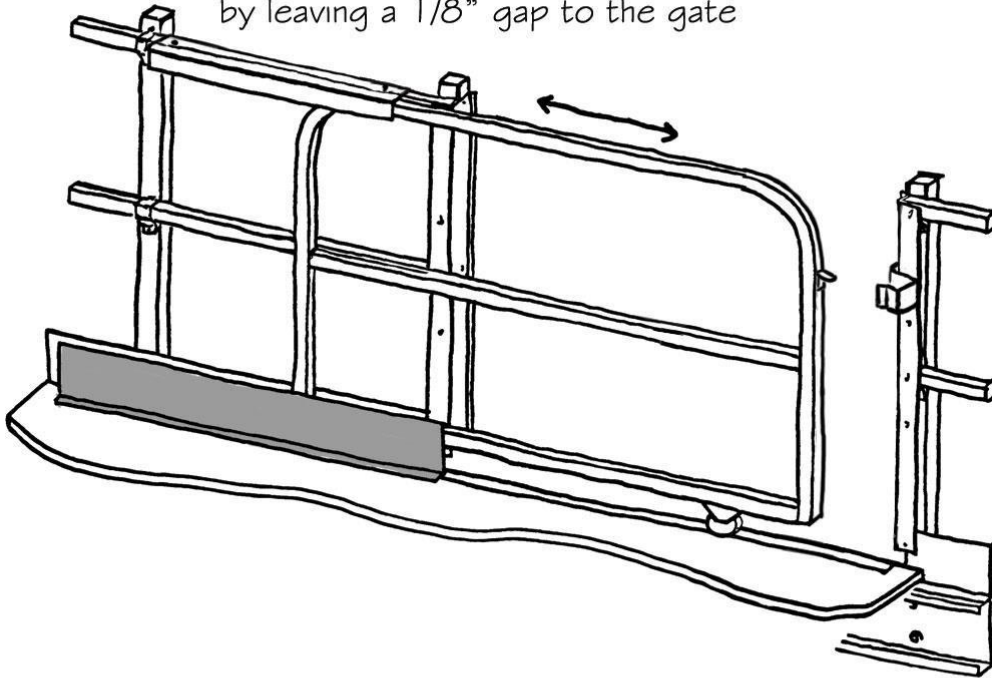


Ø1/4"x1" flat head tek screw

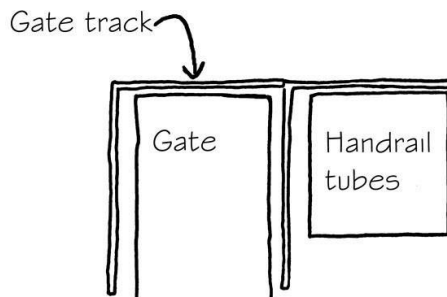
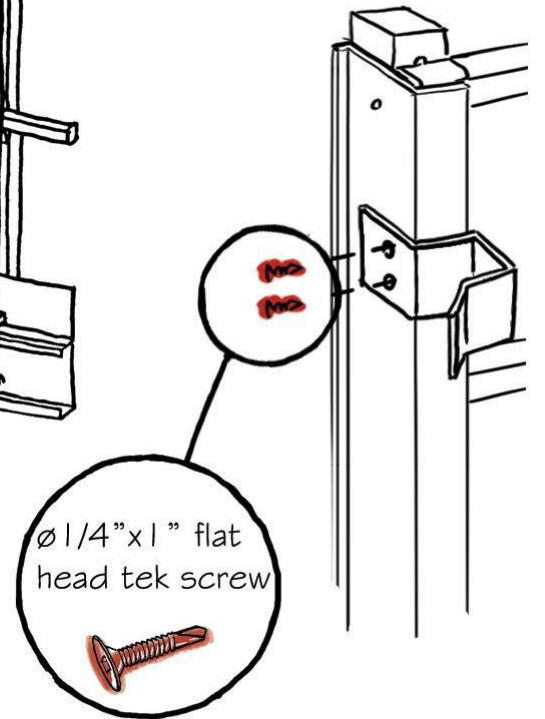


Assemble the gate with the set of wheels and the locking bracket, then slide the gate in the track

Position the guide rail on the flooring by leaving a 1/8" gap to the gate



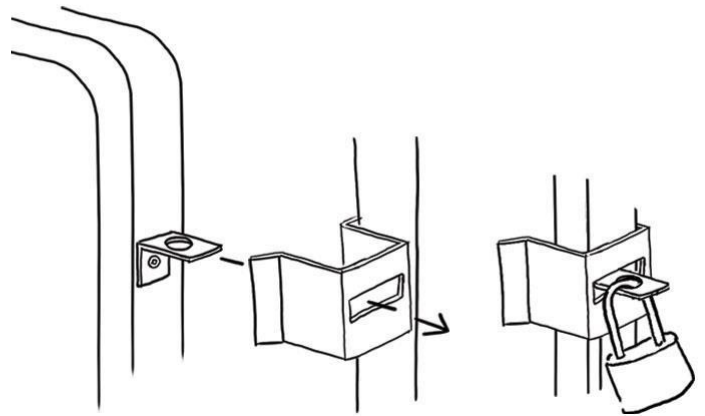
Screw the receiving bracket to the handrail post as shown below. Make sure to fix it at the proper height to receive the gate's locking bracket



1/8" gap

Guide rail

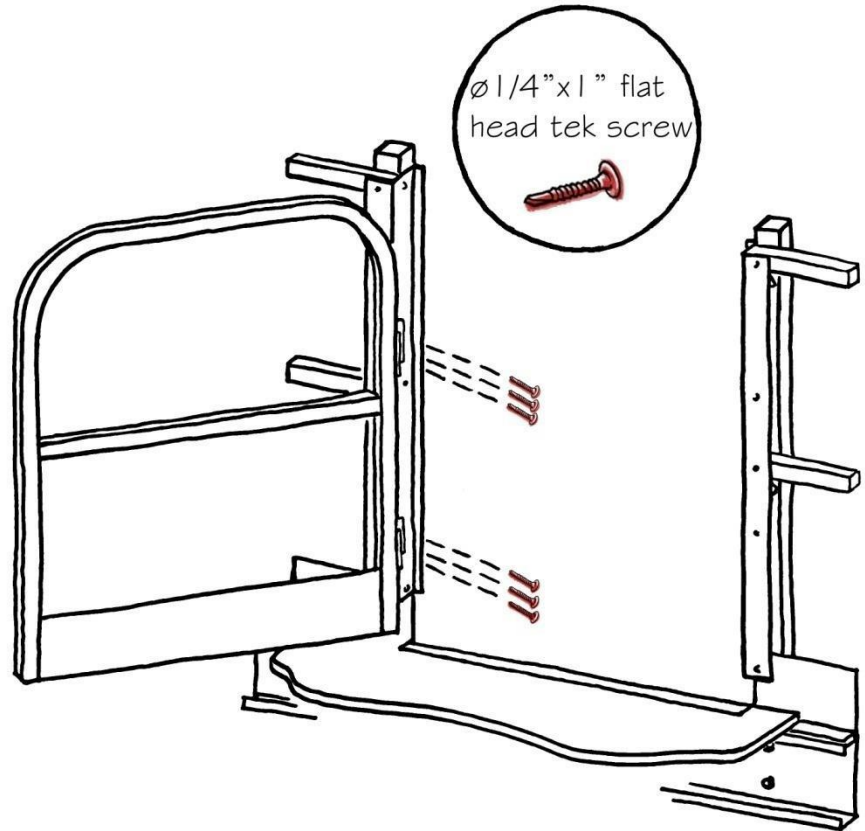
Ø 1/4" x 2" flat head tek screw



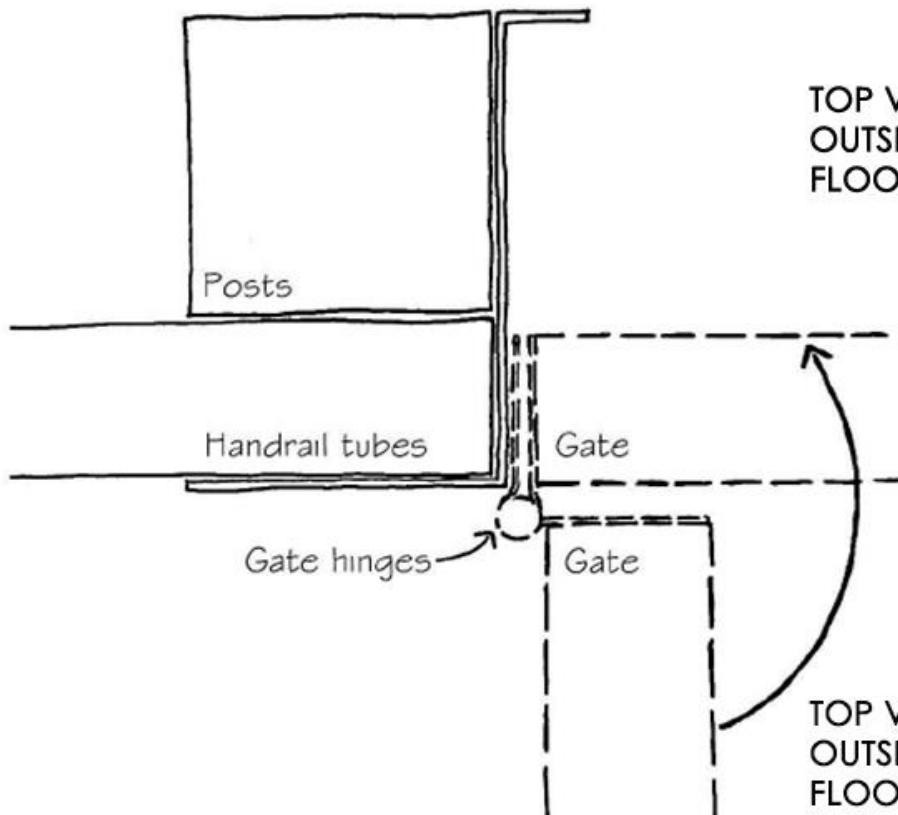
Flooring

STEP 3

INSTALL GATE SWING



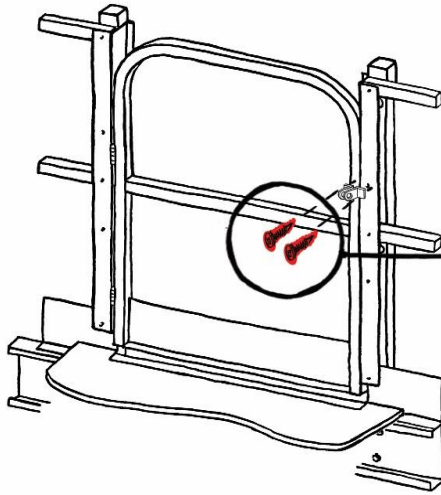
Screw the gate hinges with the gate angles
The gate must swing towards the inside of the
Pre-engineered floor decking system



TOP VIEW
OUTSIDE OF PRE-ENGINEERED
FLOOR DECKING SYSTEM

TOP VIEW
OUTSIDE OF PRE-ENGINEERED
FLOOR DECKING SYSTEM

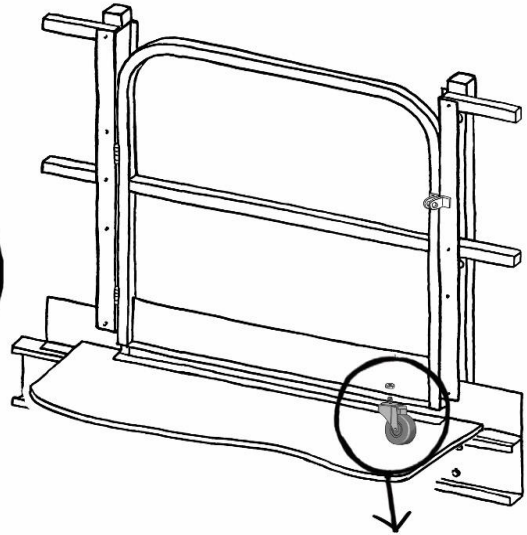
Single swing
2'6" - 3'0" wide



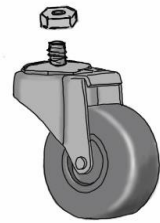
Ø1/4"x1" flat
head tek screw



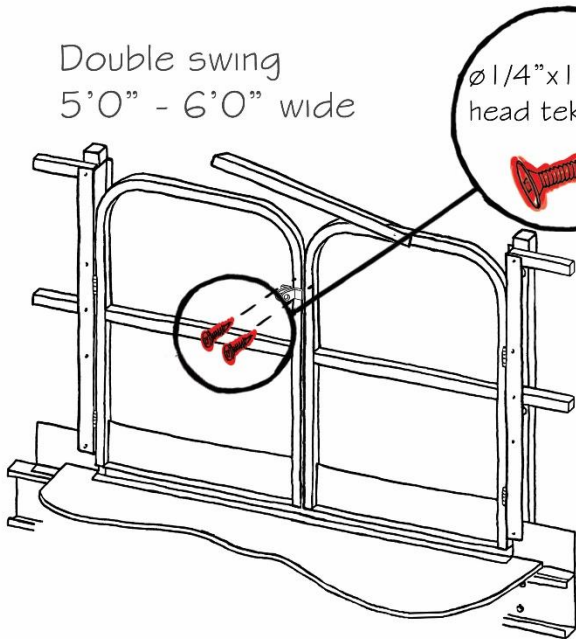
Single swing
3'6" - 4'0" wide



STEP 4
Caster assembly



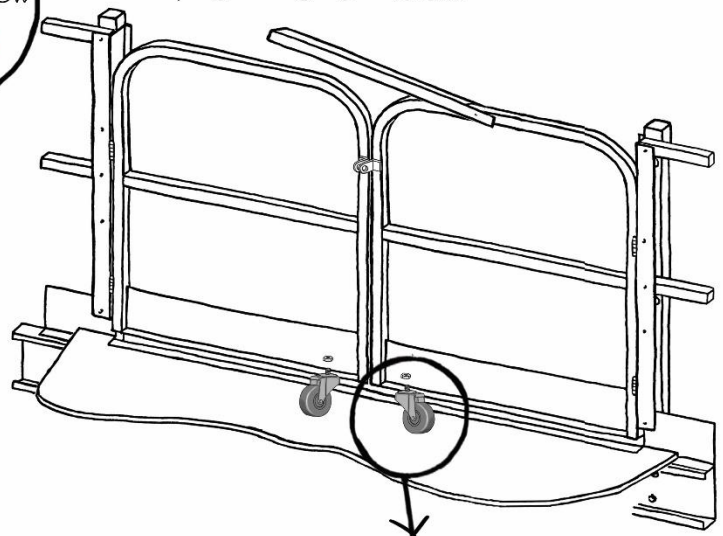
Double swing
5'0" - 6'0" wide



Ø1/4"x1" flat
head tek screw



Double swing
7'0" - 8'0" wide



STEP 4
Caster assembly

